

# Anglerfish

## Miniature LED Flasher



### FEATURES

- ▶ Self-contained 380 lumen LED
- ▶ Visible up to 5nmi to aid in vehicle recovery
- ▶ Built-in daylight sensor
- ▶ Double burst every two seconds standard (other flash rates optional)
- ▶ 1,000m-rated
- ▶ Easily mounts to masts
- ▶ Connects to power and control via a standard three-pin connector or threaded boss

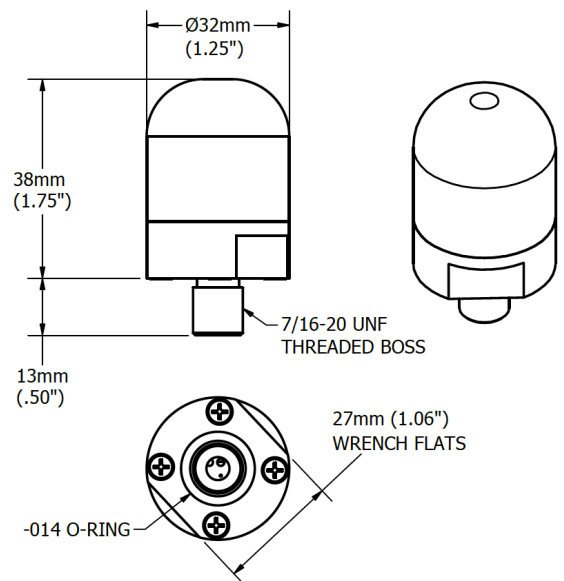
*Technical specifications on reverse*

# Technical Specs

## Anglerfish

PARAMETER	ANGLERFISH
Model Number	ARI02
Depth Rating	1,000m (3,300ft)
Visible Range	3–5nmi
Beam Angle	360°
Flash Rate	Double burst every two sec. (Std)
Output Lumens	380Lm
Input Voltage	5–40VDC
Power Draw	.55W @ 24VDC
Current Draw @ 24V	23mA Avg, 228mA Max
Weight in Air	41g
Weight Sea Water	30g
Window Material	Acrylic
Housing Material	Delrin
Operating Temp.	-10°C to 40°C
Connector Type	MCBH3M or threaded boss to fit standard MCBH 7/16–20 hole
Connector Pinout	1: GND (BLK) 2: +V (YEL) 3: Disable—active low (WHT)

### Threaded Boss Option



### Underwater Connector Option

